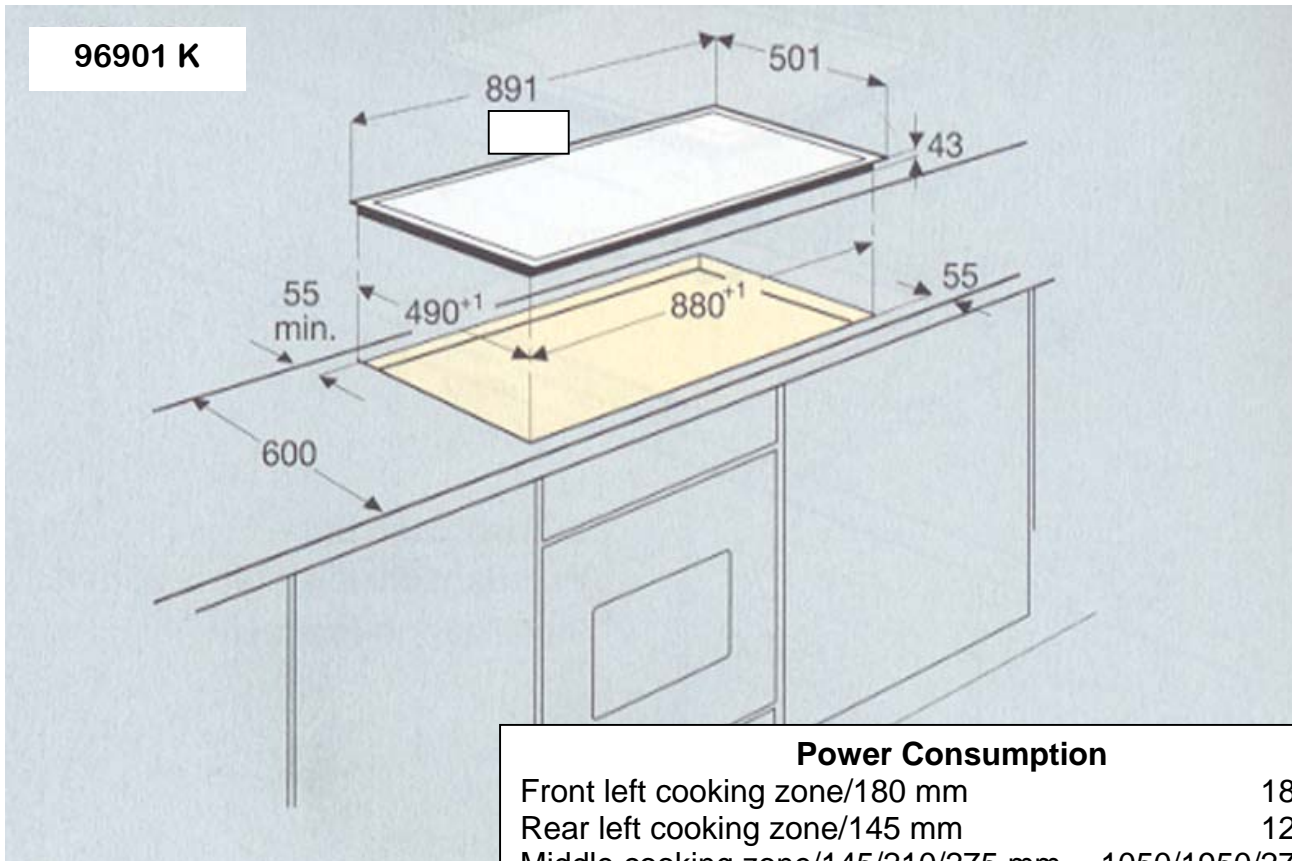


5-zone ceramic cooktop (90 cm/36")



Power Consumption	
Front left cooking zone/180 mm	1800 W
Rear left cooking zone/145 mm	1200 W
Middle cooking zone/145/210/275 mm	1050/1950/2700 W
Rear right cooking zone/170x265 mm	1400/2200 W
Front right cooking zone/180 mm	1800 W
<hr/>	
Heating Element Voltage	230 V
Total Connected Load Max.	9.7 kW

Installation of this cooktop in North America

1. Connect the black and brown wires to the red supply wire.
2. Connect the blue wire to the black supply wire.
3. Connect the yellow/green wire to ground.
4. The white, neutral supply wire is not required, and it should be capped.