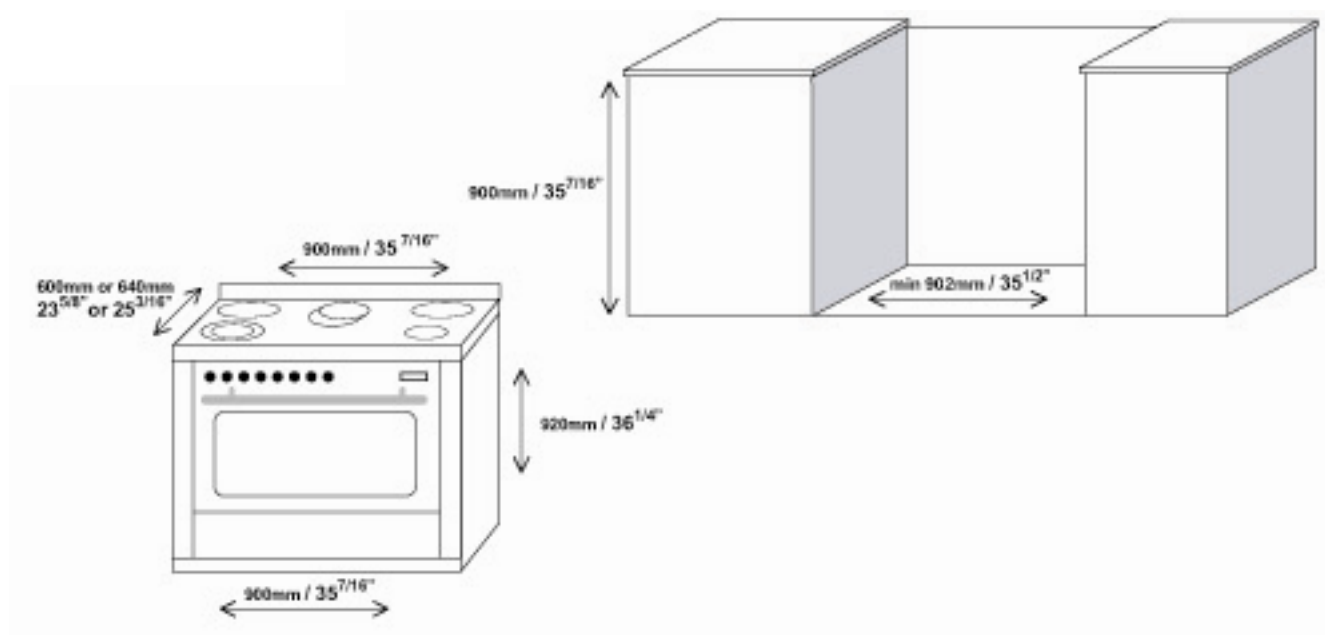


AEG SIC 90 – Slide-in Freestanding Range 90cm

POSITIONING THE RANGE

- a) Built-in cooker: Cookers in this class can be fitted between two units, or freestanding.
- b) Free standing cooker: After unpacking the cooker, remove the plastic protection from the stainless steel, aluminium and/or painted parts to avoid it melting. The utmost care must be taken when removing this protection so as not to damage the protected parts. Now the feet can be fitted. They must be fixed to the ends of the slits on the cooker pedestal. Their height can be adjusted in order to line the cooker up with the countertop.

DIMENSIONS AND CUT-OUTS



MODEL	HEIGHT (Adjustable Feet)	DEPTH (Including Rear Vent)	WIDTH	ELECTRICAL
SIC 90 90cm / 35.5 Inches	92 cm / 36 Inches	64 cm / 25 Inches	90cm / 35.5 Inches	240 Volt / 60 hZ 60 AMP

PERFEKT IN FORM UND FUNKTION

AEG

Electrolux