

**gorenje**  
*Life Simplified*



**D722CM**  
**7kg Front Load Vented Dryer**

2017

# D722CM

## 7kg Front Load Vented Dryer

**gorenje**  
*Life Simplified*



### ELECTRICAL REQUIREMENTS

- 208/230 volt, 60Hz, 15 amp

### DRYER DIMENSIONS

- D: 23<sup>5/8</sup>" x W: 23<sup>5/8</sup>" x H: 33<sup>7/16</sup>"
- D: 600mm x W: 600mm x H: 850mm

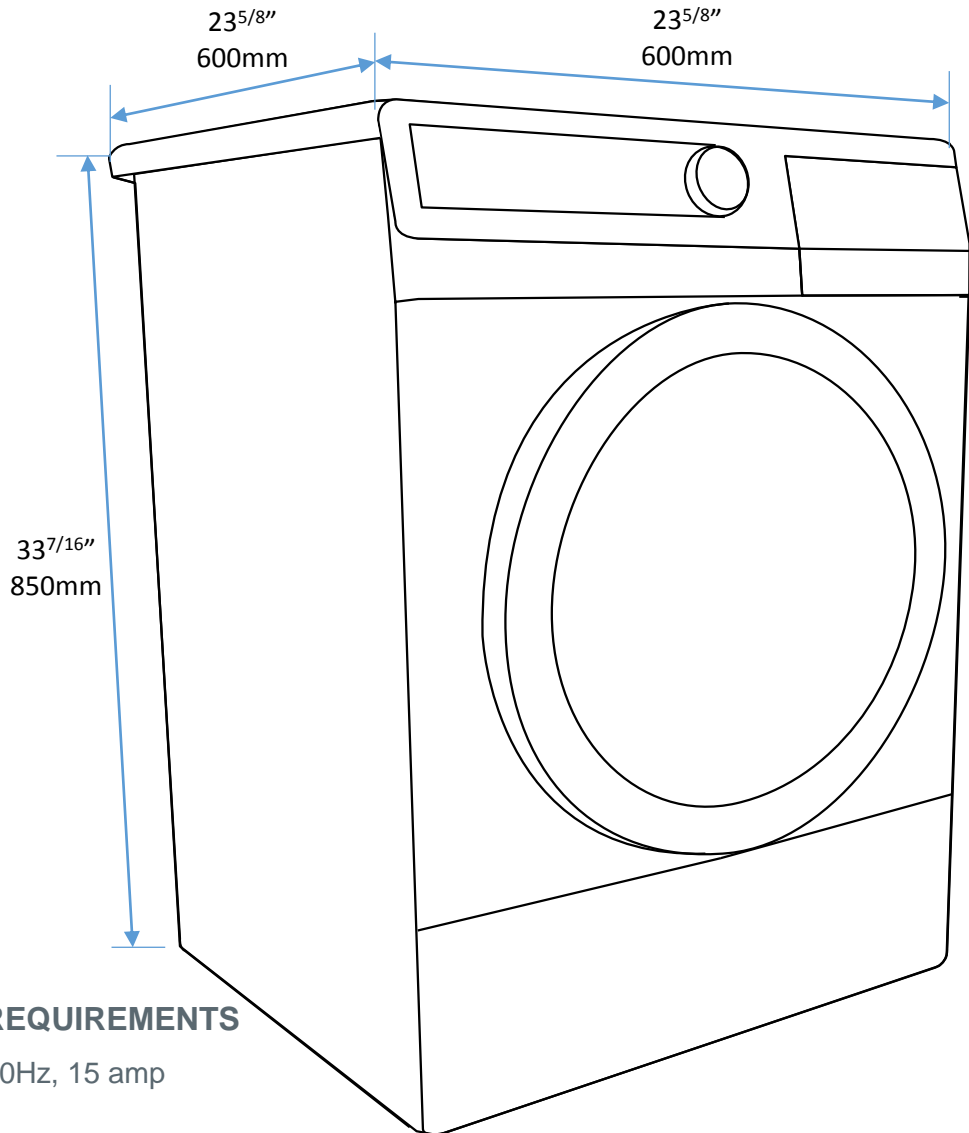
### DRYER FEATURES

- 24" (60cm) Vented dryer, White
- 208/230V, 60hZ, 15 AMP
- 7KG / 117L Drum Volume
- SensoCare drying technology affords drying conditions tailored to your laundry
- 64dB noise level
- 15 Programmes
- Auto cool-down to reduce creasing and facilitate ironing
- Additional functions include Extra Dry, Lower temperature, Delay start, as well as Anti-crease and Standby modes
- Push button functions with LED indicators
- Stainless steel drum
- Extra fine fluff filter
- New inverter motor for quieter more efficient drying
- Fitted with vent options on rear or left side
- Large door opening
- (SUPPLIED WITH SUCTION CUPS FOR STACKING)

# D722CM

## 7kg Front Load Vented Dryer

**gorenje**  
*Life Simplified*



### ELECTRICAL REQUIREMENTS

- 208/230 volt, 60Hz, 15 amp

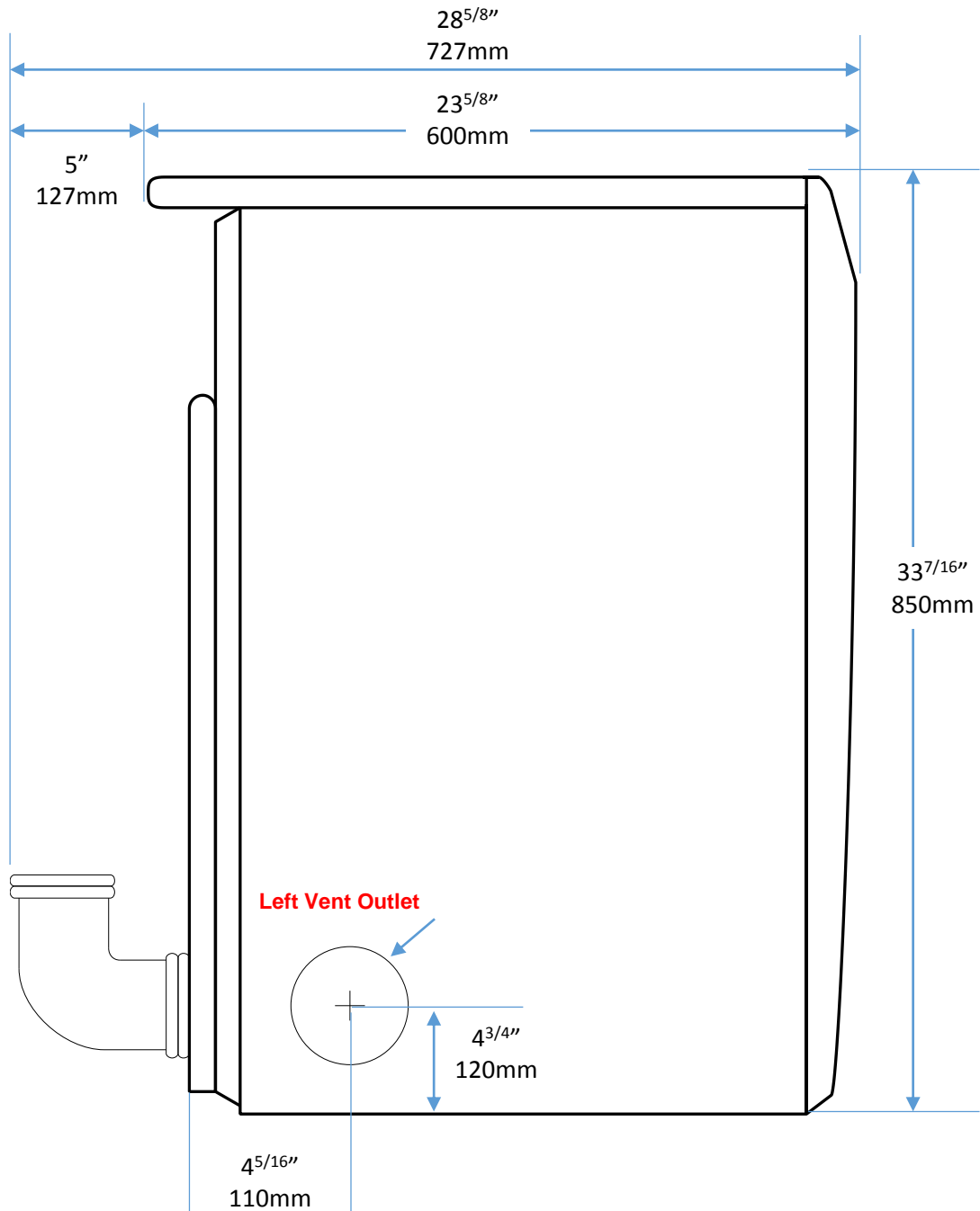
### DRYER DIMENSIONS

- D:  $23\frac{5}{8}''$  x W:  $23\frac{5}{8}''$  x H:  $33\frac{7}{16}''$
- D: 600mm x W: 600mm x H: 850mm

# D722CM

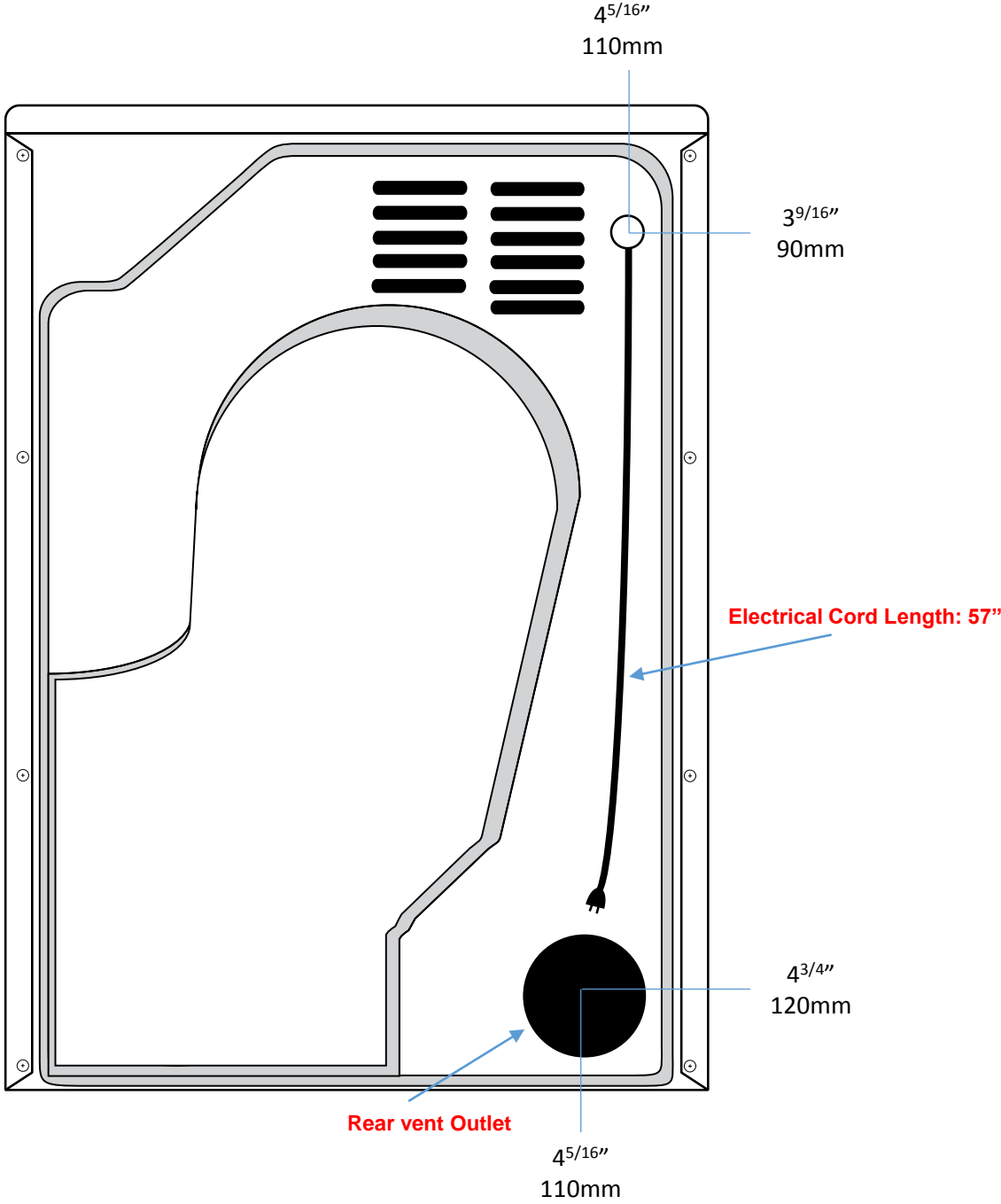
## 7kg Front Load Vented Dryer

**gorenje**  
*Life Simplified*



# D722CM

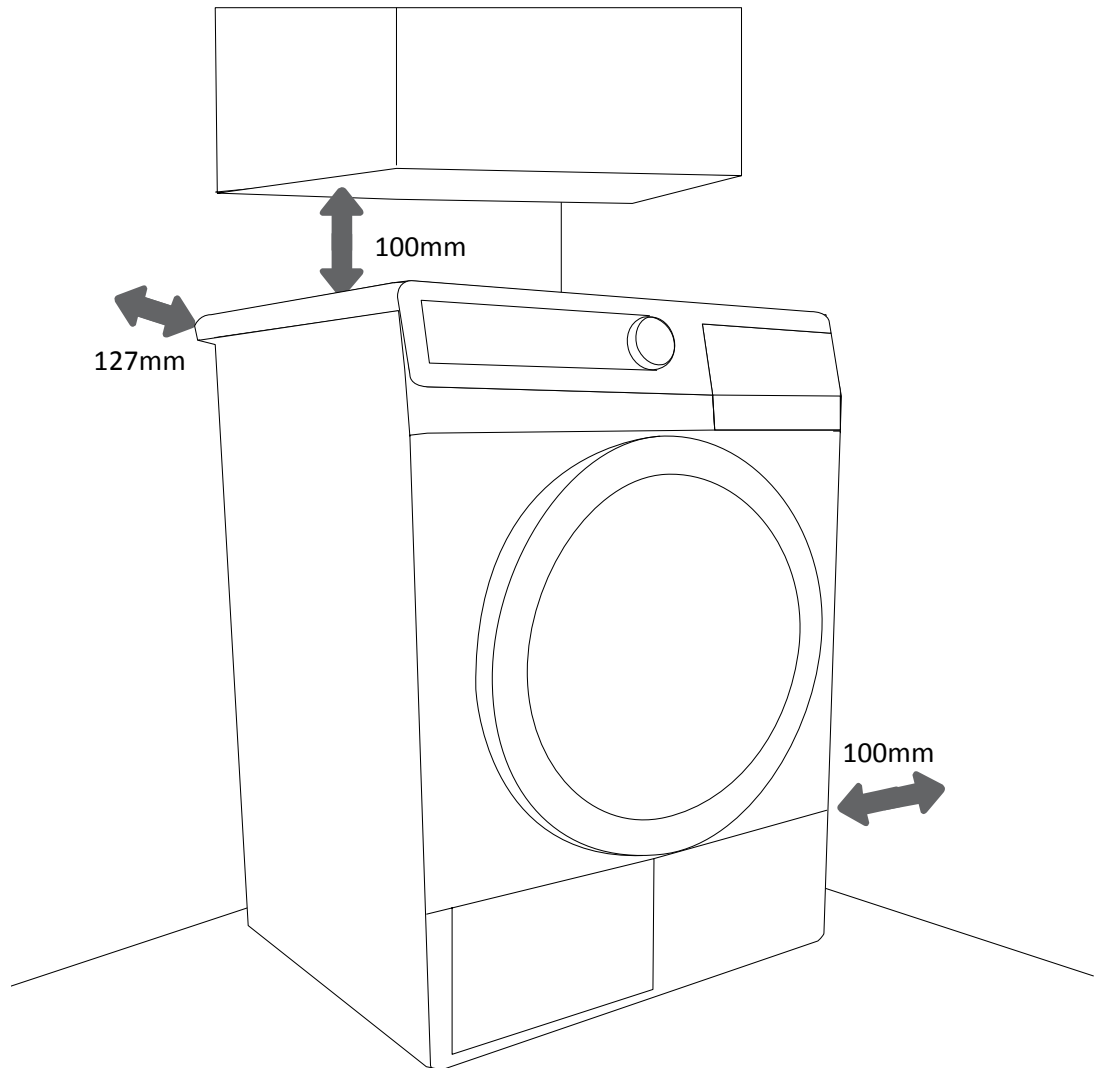
## 7kg Front Load Vented Dryer



# D722CM

## 7kg Front Load Vented Dryer

**gorenje**  
*Life Simplified*



- Ventilation slots and the opening on the front and rear side should always be kept free.
- Do not install the appliance in a room where there is danger of frost.
- The surrounding illumination in the installation room should be adequate to read the front panel properly.
- When installing the dryer in a room, note the required clearance as indicated in the image. In case of failure to heed the required minimum clearance, the dryer may overheat.

# gorenje

## Life Simplified

GORENJE Appliances are designed and manufactured to the highest standards. Each appliance is covered by a comprehensive 2-year parts and labour warranty.

Refer to product warranty policy for complete terms and conditions.

### FOR PARTS AND SERVICE

Euro-Parts & Service

39822 Belgrave Road, Belgrave, ON. N0G 1E0  
1 800 678 8352 (Canada) • 1 800 561 4614 (U.S.)

[www.euro-parts.ca](http://www.euro-parts.ca) • [parts@euro-parts.ca](mailto:parts@euro-parts.ca) • [service@euro-parts.ca](mailto:service@euro-parts.ca)

GORENJE appliances are imported and distributed in North America by Euro-Line Appliances Inc. For more information, please visit one of our showrooms or [www.euro-line-appliances.com](http://www.euro-line-appliances.com) / [www.elawest.com](http://www.elawest.com)

### EURO-LINE APPLIANCES INC.

871 Cranberry Court  
Oakville, ON L6L 6J7 Canada  
905 829 3980  
1 800 421 6332  
[marketing@euro-line-appliances.com](mailto:marketing@euro-line-appliances.com)

### EURO-LINE APPLIANCES WEST INC.

2912 West 4th Avenue  
Vancouver, BC V6K 1R2 Canada  
604 235 3980  
1 855 ELA WEST (352 9378)  
[info@elawest.com](mailto:info@elawest.com)

