

gorenje
Life Simplified



W8544PA
8kg Front Load Washing Machine

2017

W8544PA

8kg Front Load Washing Machine

gorenje
Life Simplified



DRYER FEATURES

- 24" (60cm) Front load washing
- 8KG / 64L capacity
- 208/230V, 60hZ, 15 AMP
- 49L per load water consumption
- Spin speed options up to 1400rpm
- Cold water connection - heats to 95°C
- Super Silent Operation - 56dB
- SensoCare Technology 23 programmes
- Specialty programs
- Water level sensor controls low water consumption
- Delay start option, up to 24hrs
- LED digital display with Push button functions
- SterilTub maintains clean and odour free inner drum
- Innovative DuraHeat technology provides optimum heating while ensuring safe operation
- Child lock protection
- The environmental ECOSystem prevents loss of detergent during the cycle, maximizing cleaning efficiency
- Standby Mode
- SoftSound signal for audio indicators
- Carbotech tub, Stainless steel inner/out drum
- Thermal and electronic protection against overheating

ELECTRICAL REQUIREMENTS

- 208/230 volt, 60Hz, 15 amp

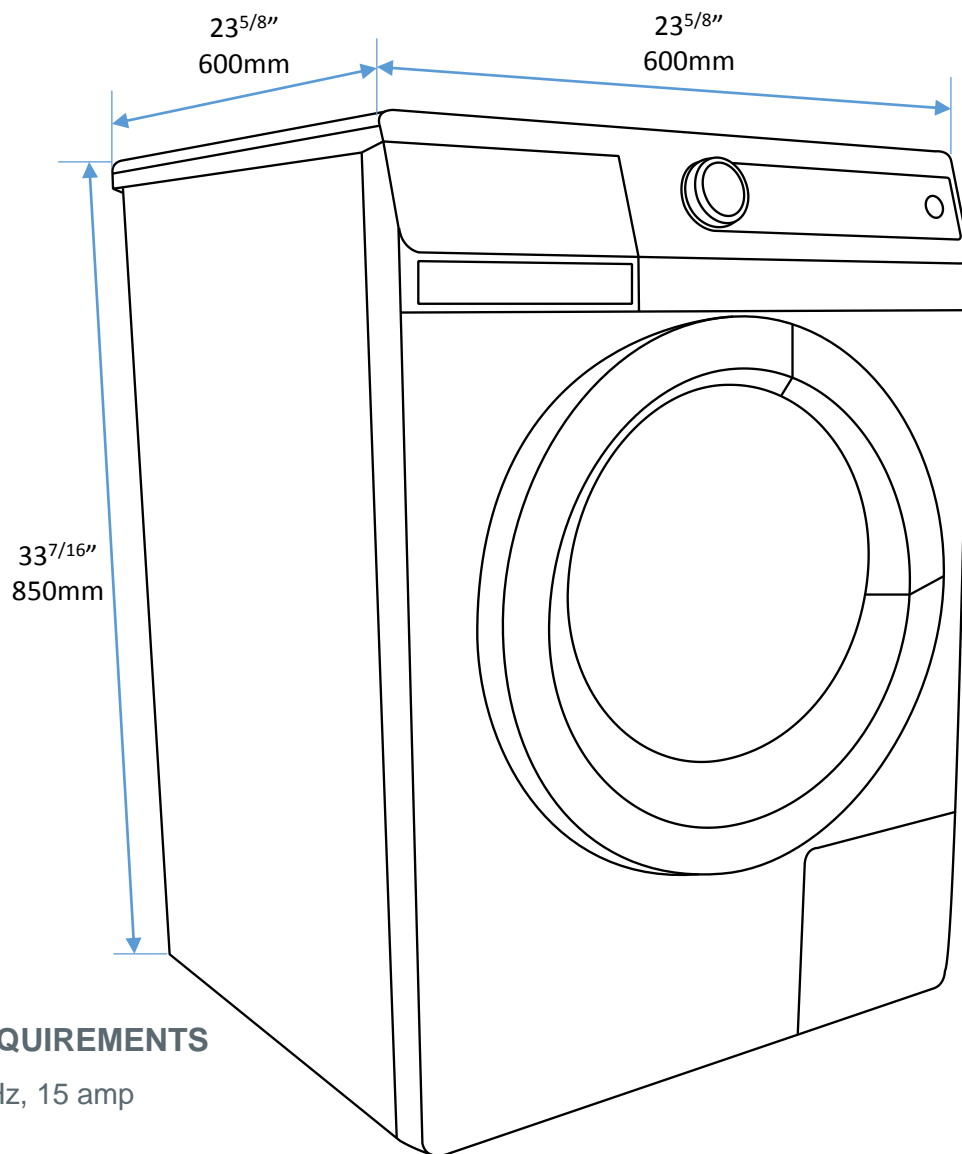
DRYER DIMENSIONS

- D: 23^{5/8}" x W: 23^{5/8}" x H: 33^{7/16}"
- D: 600mm x W: 600mm x H: 850mm

W8544PA

8kg Front Load Washing Machine

gorenje
Life Simplified



ELECTRICAL REQUIREMENTS

- 208/230 volt, 60Hz, 15 amp

DRYER DIMENSIONS

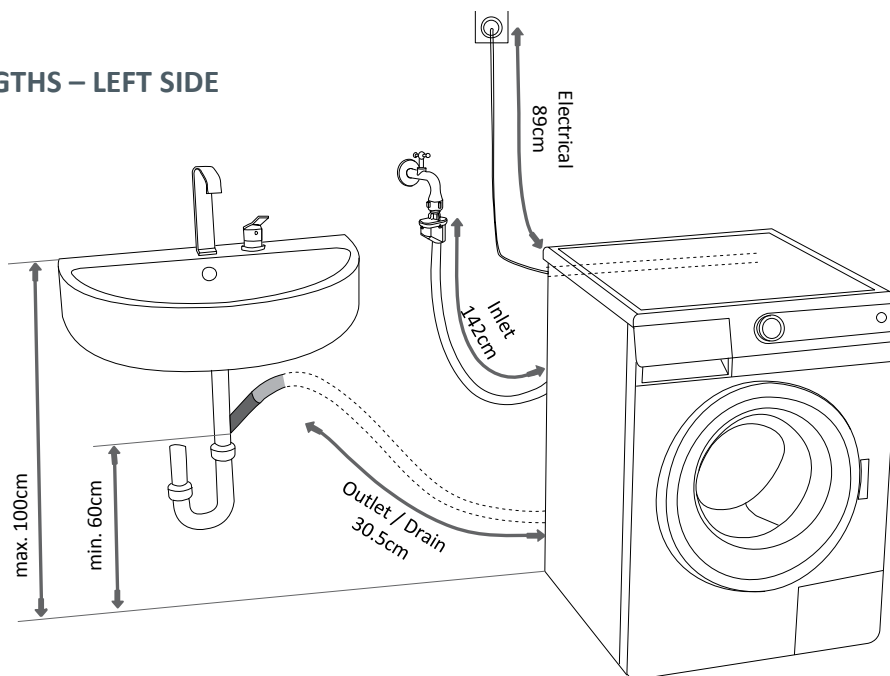
- D: $23\frac{5}{8}''$ x W: $23\frac{5}{8}''$ x H: $33\frac{7}{16}''$
- D: 600mm x W: 600mm x H: 850mm

W7743L - CONNECTIONS

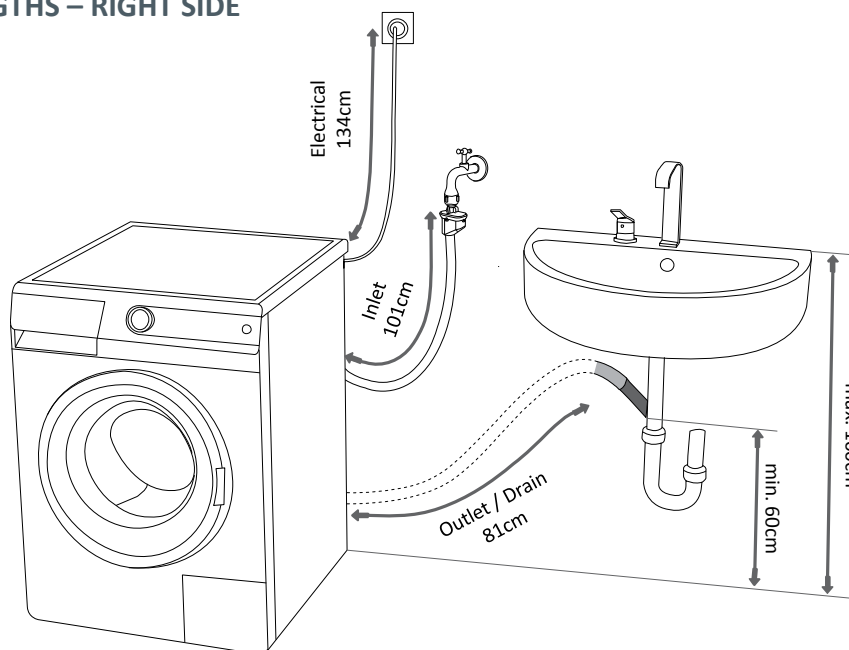
7kg Front Load Washing Machine

gorenje
Life Simplified

CONNECTION LENGTHS – LEFT SIDE



CONNECTION LENGTHS – RIGHT SIDE



- Please note that the connection lengths will vary depending on the location of water/electrical hookups.

gorenje

Life Simplified

GORENJE Appliances are designed and manufactured to the highest standards. Each appliance is covered by a comprehensive 2-year parts and labour warranty.

Refer to product warranty policy for complete terms and conditions.

FOR PARTS AND SERVICE

Euro-Parts & Service

39822 Belgrave Road, Belgrave, ON. N0G 1E0
1 800 678 8352 (Canada) • 1 800 561 4614 (U.S.)

www.euro-parts.ca • parts@euro-parts.ca • service@euro-parts.ca

GORENJE appliances are imported and distributed in North America by Euro-Line Appliances Inc. For more information, please visit one of our showrooms or www.euro-line-appliances.com / www.elawest.com

EURO-LINE APPLIANCES INC.

871 Cranberry Court
Oakville, ON L6L 6J7 Canada
905 829 3980
1 800 421 6332
marketing@euro-line-appliances.com

EURO-LINE APPLIANCES WEST INC.

2912 West 4th Avenue
Vancouver, BC V6K 1R2 Canada
604 235 3980
1 855 ELA WEST (352 9378)
info@elawest.com

